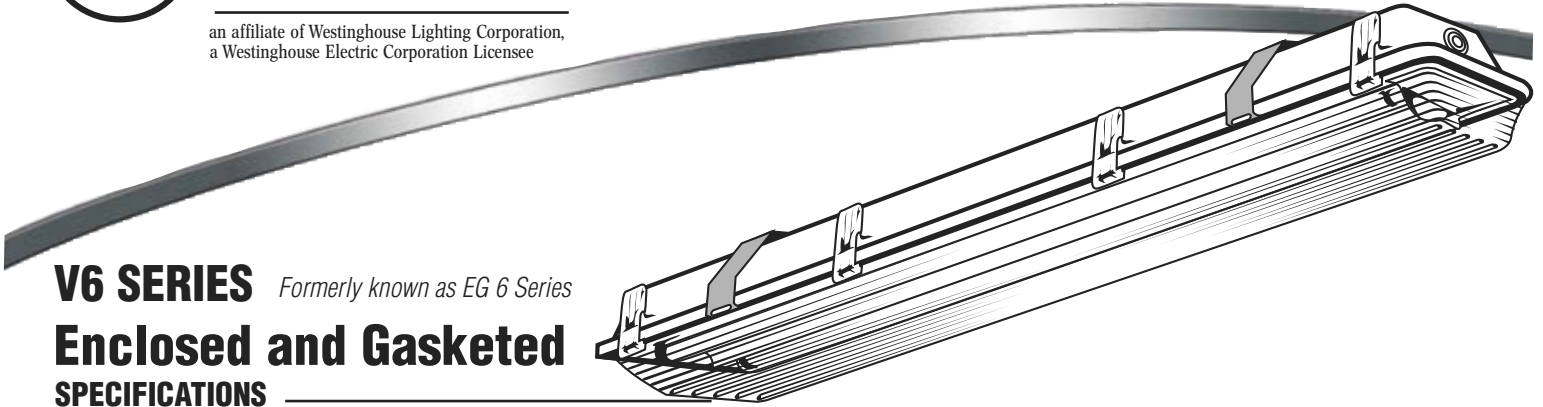




WESTINGHOUSE LIGHTING SOLUTIONS

an affiliate of Westinghouse Lighting Corporation,
a Westinghouse Electric Corporation Licensee

QTY.	TYPE	MODEL #



V6 SERIES *Formerly known as EG 6 Series* Enclosed and Gasketed SPECIFICATIONS

- Housing — Engineered Resins, UL Rated: 5VA(f1)-IP67, NSF
- Latch — Polycarbonate
- End Plug — Rubberized
- Diffuser — Linear Ribbed Polycarbonate
- Reflector — Optional specular, wide beam

FEATURES

- European rotary lock lamp holders
- All ballasts are 90° C rated
- Poured in place anti-fungal gasket and cam latches ensure protection from most harsh environments. IP67 Rated for wet and corrosive locations
- Economical mounting bracket for easy installations
- Variety of configurations to satisfy various mounting heights and fixture spacing: 4', 8', T5, T8
- Cuts energy use up to 60%
- Allows for one-for-one metal halide replacement
- Instant re-strike, programmed rapid start ballast eliminates the need for quartz re-strikes in event of power outage
- 95% lumen maintenance over entire rated lamp life
- Extremely durable polycarbonate lens
- Popular options: interior reflectors, cordset

PHOTOMETRY

WLS File # EG-42-T554-A12-U
Test Report # 08840 Dated 3/17/05

Lamp Type: FP54/841/HO
of Lamps: 2 w/ Asymmetric AWE reflector

Candela Distribution

	0.0	22.5	45.0	67.5	90.0	Zonal Lumens
0	2503	2503	2503	2503	2503	
5	2494	2494	2495	2505	2515	236
15	2385	2392	2396	2388	2374	678
25	2184	2172	2262	2152	2103	1006
35	1866	1901	1874	1685	1652	1128
45	1502	1523	1335	1192	1144	1035
55	1082	1062	857	824	849	835
65	637	584	601	668	683	621
75	248	293	395	495	524	415
85	36	137	259	354	383	263
90	14	88	198	282	306	
95	14	50	133	206	232	137
105	9	12	47	76	82	50
115	9	4	10	28	35	14
125	5	2	0	9	13	4
135	0	0	0	0	0	0
145	0	0	0	0	0	0
155	0	0	0	0	0	0
165	0	0	0	0	0	0
175	0	0	0	0	0	0
180	0	0	0	0	0	0

Zonal Lumen Summary

Zone	Lumens	%Lamp	%Fixt
0-30	1920	21.8	29.9
0-40	3048	34.6	47.5
0-60	4918	55.9	76.6
0-90	6216	70.6	96.8
90-120	201	2.3	3.1
90-130	206	2.3	3.2
90-150	206	2.3	3.2
90-180	206	2.3	3.2
0-180	6422	73.0	100.0

LUMINAIRE SPACING CRITERIA

CIE Type:	Direct	
Plane:	0-DEG	90-DEG
Spacing Criteria:	1.2	1.1

for more specific Test Reports contact us at:
info@westinghouse-ls.com

Zonal Cavity

RC RW	80				70				50			30			10			0
	70	50	30	10	70	50	30	10	50	30	10	50	30	10	50	30	10	0
0	86	86	86	86	84	84	84	84	80	80	80	76	76	76	72	72	72	71
1	79	76	73	70	77	74	71	69	70	68	66	67	65	63	64	63	61	60
2	72	67	62	58	70	65	61	57	62	59	56	60	57	54	57	55	52	51
3	67	60	54	50	65	58	53	49	56	51	48	53	50	47	51	48	46	44
4	61	53	47	43	60	52	47	42	50	45	41	48	44	41	46	43	40	38
5	56	47	41	37	55	47	41	36	45	40	36	43	39	35	42	38	35	33
6	52	43	37	32	51	42	36	36	41	35	31	39	34	31	38	34	31	29
7	48	39	33	28	47	38	32	28	37	31	28	35	31	27	34	30	27	26
8	45	35	29	25	43	34	29	25	33	28	24	32	27	24	31	27	24	22
9	41	31	26	22	40	31	25	21	30	25	21	29	24	21	28	24	21	19
10	38	29	23	19	37	28	23	19	27	22	19	27	22	19	26	22	18	17

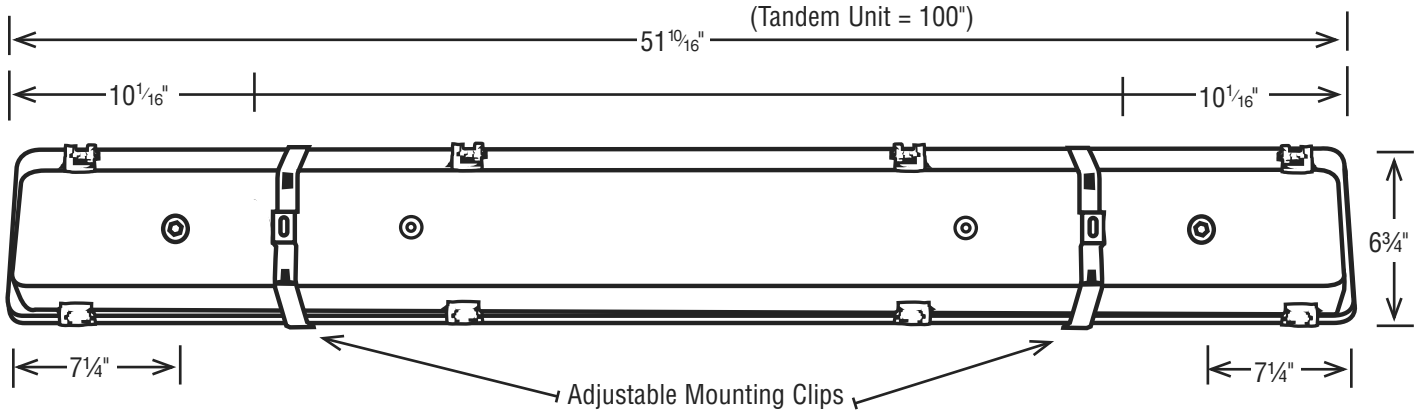


**WESTINGHOUSE
LIGHTING
SOLUTIONS**

an affiliate of Westinghouse Lighting Corporation,
a Westinghouse Electric Corporation Licensee

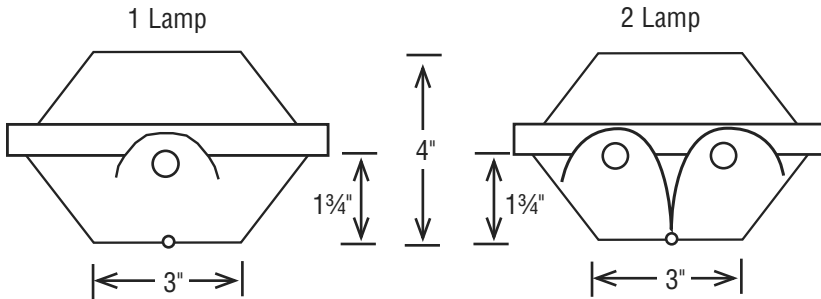
Formerly known as EG 6 Series **V6 SERIES**
Enclosed and Gasketed

BACK VIEW & BRACKET (2 light T-5 shown)



Note: Knockouts provided on both ends.

END VIEW



Shown with
AWE Asymmetric A12 reflector,
but also available "000"
without aluminum reflector.

ORDERING INFORMATION

FIXTURE LENGTH
4 = nom. 52"
8 = nom. 100"

REFLECTOR
000 = Less reflector
AWE = wide beam

W = Wire Hanger

X = not sensor ready
R = sensor ready wired

NUMBER OF LAMPS
1 = 1 Lamp
2 = 2 Lamp
4 = 4 Lamp
2+2 Tandem
consult factory for V682
(1+1Tandem), or V643 (3L)

V6 42 T554 AWE-U1PN2B-C00 L02 WX
Series cordset* Lamps*

LAMP TYPE
T554 = 54 w HO
T832 = 32 w
T528 = 28 w

BALLAST VOLTAGE
U = 120-277V (Universal)
F = 347-480V
Z = Dedicated 277V

BALLAST DETAILS
PN = Programmed Normal b.f.
1__2 = 1, 2 lamp ballast
1 SH2 = 1 instant start high b.f. T8
B = Brand, factory select

*See Nomenclature Chart for details

